



CRT 5633
POWERSHIFT CYCLING
TRANSMISSION

CRT 5633 Specifications

General rating +

Net input power (max)	430 nhp (320 kw)
Input speed (max)	2500 rpm
Net input torque (max)	900 lb ft (1220 Nm)

Rotation

Input (viewed from input)	Clockwise
Output (viewed from input)	Clockwise (forward ranges)

Mounting

Direct ■	SAE # 1 Wet type converter housing, cradle mounted using engine flywheel mounting pads and transmission drop side pads with 5/8-11 bolts
Remote ■	Front trunnion mounted, Mounts from both side pads required with trunnion mount

Torque converter

Type	Single Stage, 3 element, hydraulic
Stall Torque ratio	TC 550-3.29:1 TC 580-2.89:1

Gearing

Type	
Range Gears	Constant mesh, spur type, planetary
Transfer Gears	Constant mesh, spur type, in-line

Ratio*

	1.30:1 Drop Box		1.00:1 Drop & Straight Through	
	Forward	Reverse	Forward	Reverse
First	3.952:1	4.111:1	3.04:1	3.16:1
Second	1.963:1	2.041:1	1.51:1	1.57:1
Third	0.988:1	1.027:1	0.76:1	0.79:1

*Gear ratio does not include torque converter ratio

+ Ratings may vary by vocation. Consult Avtec Limited-Power Products Division (AVTEC-PPD), Marketing Department for specific information.

Power takeoff provision

Gear Drive PTO*	
Rating	200hp (149 kw) intermittent & 125 hp (95 kw) max continuous @ 2100-2500 rpm
Mounting pad	SAE 8-bolt heavy duty
Drive gear ratio	1.00 x engine speed
Accessory drive PTO*	
Rating	200 hp (149 kw) intermittent & 125 hp (95 kw) max continuous @ 2100-2500 rpm
Mounting pad	SAE C4-bolt heavy duty
Drive gear ratio	1.00 x engine speed

* 125 hp (95 kw) continuous, 200 hp (149 kw) (max) intermittent is the combined rating for both PTO provisions

Control Valve body ■

Types	Mechanically actuated Hydraulic control Electro Hydraulic
-------	--

Oil System

Oil type	Hydraulic Transmission fluid, type C-4
Capacity (less external circuits)	Initial fill - 49.2 litres (13.0 U.S gal); Refill - 42.6 litres (11.25 U.S gal)
Filter	Customer furnished remote mount or AVTEC-PPD furnished remote mount or integral dual full flow

Size (typical configuration)

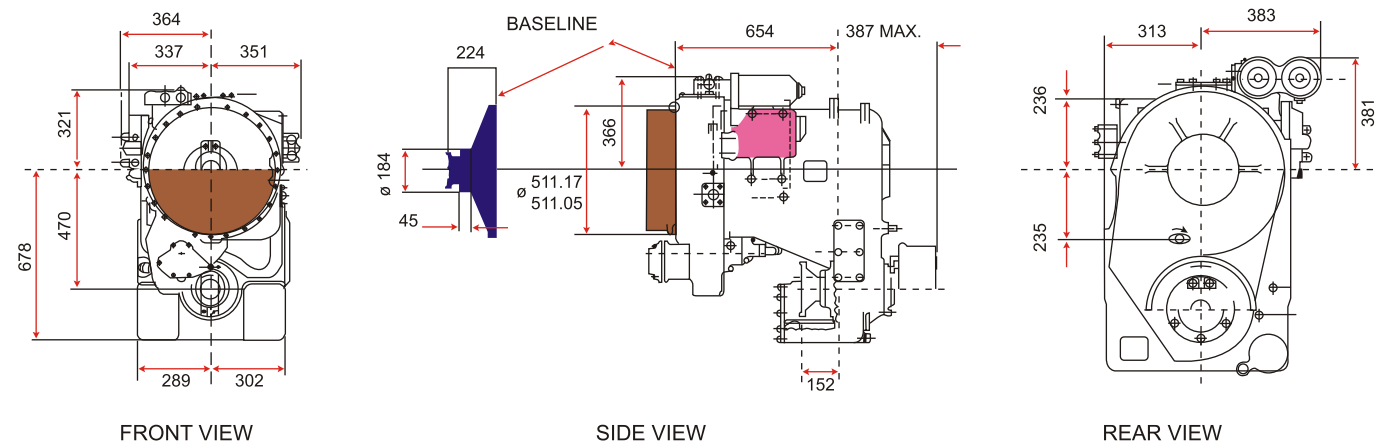
Length	52.0 in (1320 mm)
Width	30.6 in (777 mm)
Height	41.69 in (1059 mm)
Weight, dry	2500 lbs (1134 Kg)

SCAAN Specification Assistance

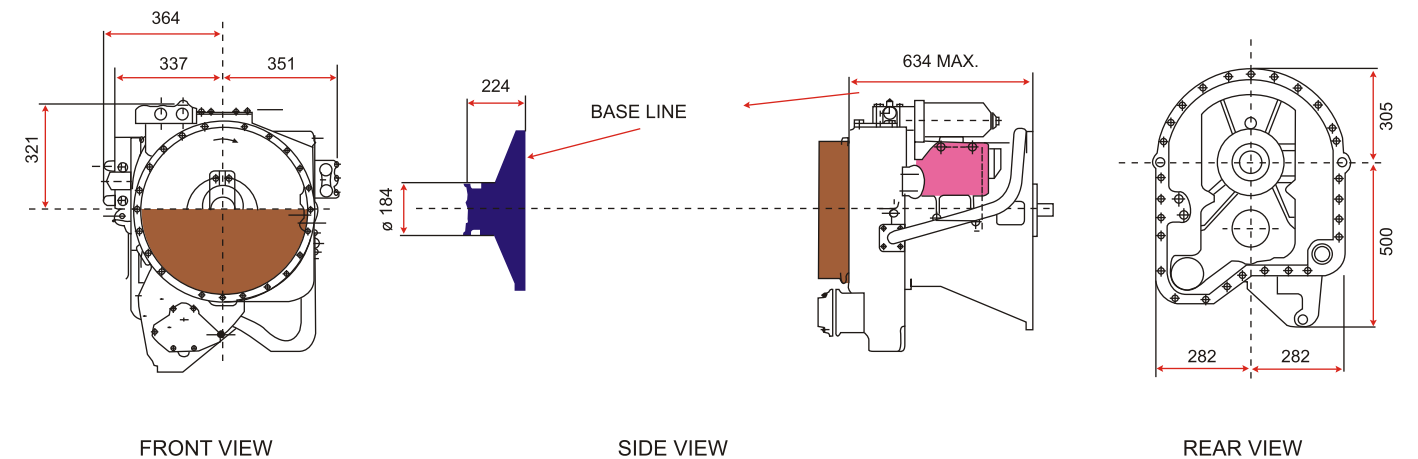
To be sure that you get the most efficient engine transmission matching for your operation, with your preferred vehicle, Power Products Division offers SCAAN.

SCAAN stands for System for Computerized Application ANalysis and helps eliminate guesswork from vehicle buying decisions. It can compute a wide variety of vehicle performance parameters. SCAAN will also check your powertrain specifications against Hindustan Transmission vocational experience to ensure satisfactory vehicle performance. SCAAN is user friendly. Interactive operation allows vehicle configurations to be quickly evaluated to ensure optimized powertrain selection.

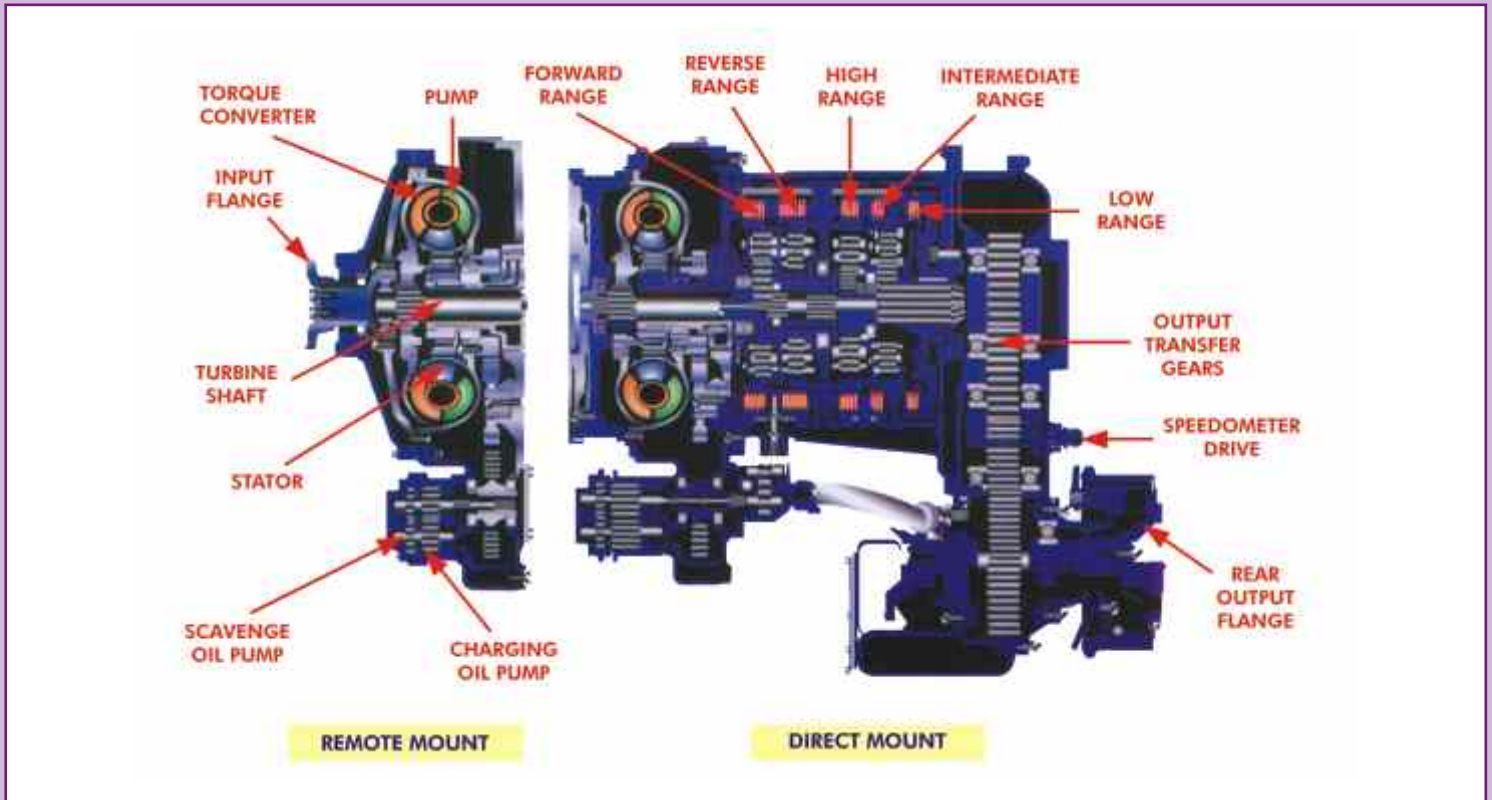
Mounting Dimensions - with drop box



Mounting Dimensions - without drop box



CRT 5633 Powershift Cycling Transmission



CUSTOMER BENEFITS

- ◆ Design Adaptability
- ◆ Smooth, Fast, Easy Operation
- ◆ High Productivity
- ◆ Greater Reliability
- ◆ Lower Operating Cost
- ◆ Reduced Maintenance Cost
- ◆ Increased Availability
- ◆ Improved Operator Efficiency

DESIGN FEATURES AND OPTIONS

- ◆ Transmission direct / remote mounting
- ◆ Torqmatic® coupling
- ◆ Wet direct engine mounting adaptations
- ◆ Choice of input and output flanges
- ◆ Parking bar
- ◆ Speed pickup provision available on drop box model (1:1)
- ◆ Forward and reverse pressure taps

APPLICATIONS

- ◆ Front End Loaders
- ◆ Aircraft Towing Trucks
- ◆ Forklifts
- ◆ Mobile Cranes
- ◆ Winches
- ◆ Locomotives/Rail Bus
- ◆ Container Handling-Top Lift Truck, Reach Stackers
- ◆ Over Head Electric Inspection (OHE) Car
- ◆ Utility Vehicle
- ◆ Wheel Dozer

PARTS AND SERVICE SUPPORT

- ◆ Prompt Professional Service
- ◆ Complementing parts availability is Avtec Limited, Power Products Division's (AVTEC-PPD) firm commitment to provide fast economical service



AVTEC Limited
Power Products Division

For more details, please contact

Works: Hosur - 635 114, Tamilnadu, India.

Tel: +91 (4344) 405257 (Marketing), 405213/319 (Sales)

Tel: +91 (4344) 405242/289/305 (Service), 405268/270/288 (Parts)

Email: marketing.ppd@avtec.in

Website: www.avtec.in